

BUSH 03-3

Truncated Dodecahedron

TECHNICAL DATA

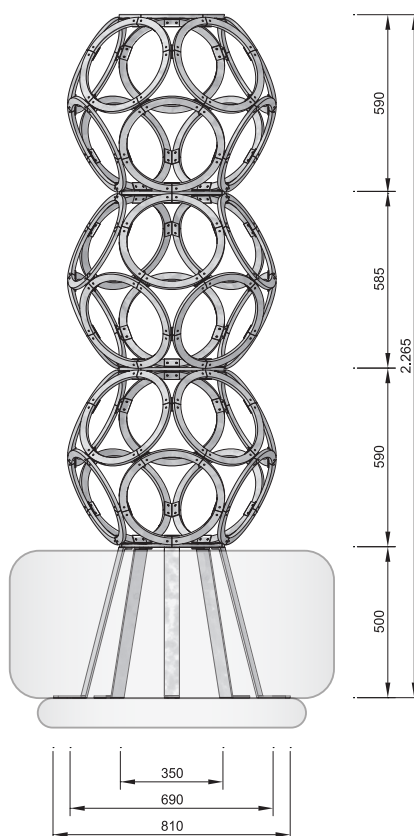
State 23/04/2026

Extent of delivery:

Spatial structure consisting of 3 truncated dodecahedra, each made up of 12 rings with a diameter of 350 mm. Rings comprising five ring segments made of MDF (Accoya, FSC Mix 70%, ecologically safe with a 50-year guarantee).

Rings and truncated dodecahedra are joined together using stainless steel brackets. The spatial structure rests on five hot-dipped galvanized support feet. Components for self-assembly are supplied with instructions, including stainless steel fastening elements.

Side view



Dimensions:

69 x 226⁵ x 69 cm (W x H x D)

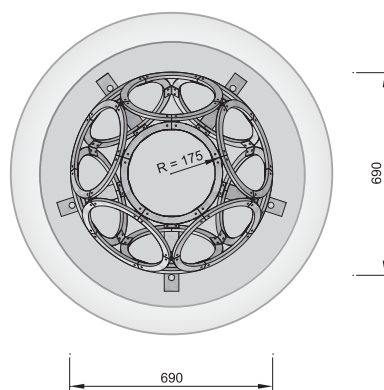
Number of space cells:

3

Ring diameter:

350 mm

Ground plan



Scale 1:25

LIANAS TRELLIS

IS A PROJECT OF TF LEICHT BAUTEN BERLIN GMBH
KNOBELSDORFFSTRASSE 23 / D · 14059 BERLIN / PHONE: +49 30. 844 27 073 / INFO@LEICHT.BAUTEN.BERLIN
MANAGING DIRECTOR: DIPL.-ING. TORSTEN FRANK / REGISTERED OFFICE: BERLIN
COMMERCIAL REGISTER: BERLIN-CHARLOTTENBURG HRB 199583