

TREE 03-4 Truncated Dodecahedron

TECHNICAL DATA

State 23/04/2026

Extent of delivery:

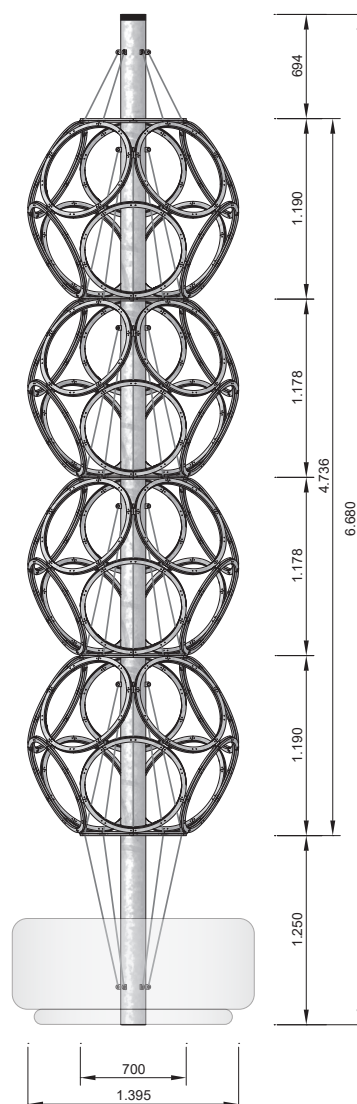
Spatial structure consisting of 4 truncated dodecahedra, each made up of 12 rings with a diameter of 700 mm, and a hot-dipped tubular steel post. Rings comprising ten double-layered ring segments made of MDF (Accoya, FSC Mix 70%, ecologically safe with a 50-year guarantee).

Rings and truncated dodecahedra are joined together using stainless steel brackets and flat bars. The truncated dodecahedra are suspended from the post by means of 8 mm thick steel ropes wrapped with polyester yarn and tensioned downwards with turnbuckles.

Rings are pre-assembled and fitted with brackets.

Components for self-assembly are supplied with instructions, including stainless steel fastening elements.

Side view



Dimensions:

139⁵ x 668 x 139⁵ cm (B x H x T)

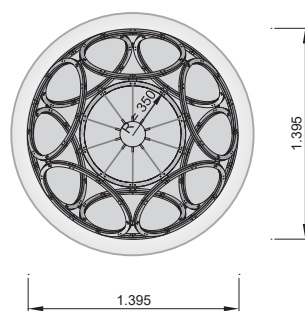
Ground plan

Number of space cells:

4

Ring diameter:

700 mm



Scale 1:50

LIANAS TRELLIS

IS A PROJECT OF TF LEICHT BAUTEN BERLIN GMBH
KNOBELSDORFFSTRASSE 23 / D · 14059 BERLIN / PHONE: +49 30. 844 27 073 / INFO@LEICHT.BAUTEN.BERLIN
MANAGING DIRECTOR: DIPL.-ING. TORSTEN FRANK / REGISTERED OFFICE: BERLIN
COMMERCIAL REGISTER: BERLIN-CHARLOTTENBURG HRB 199583